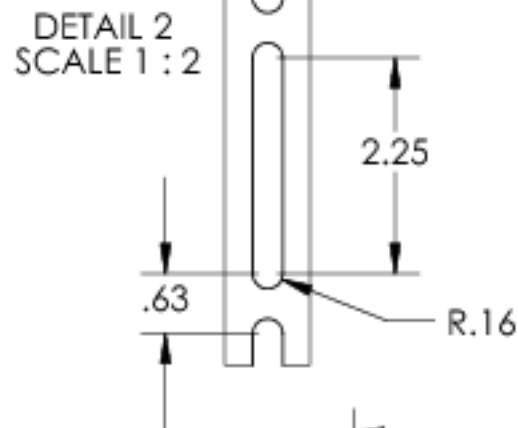
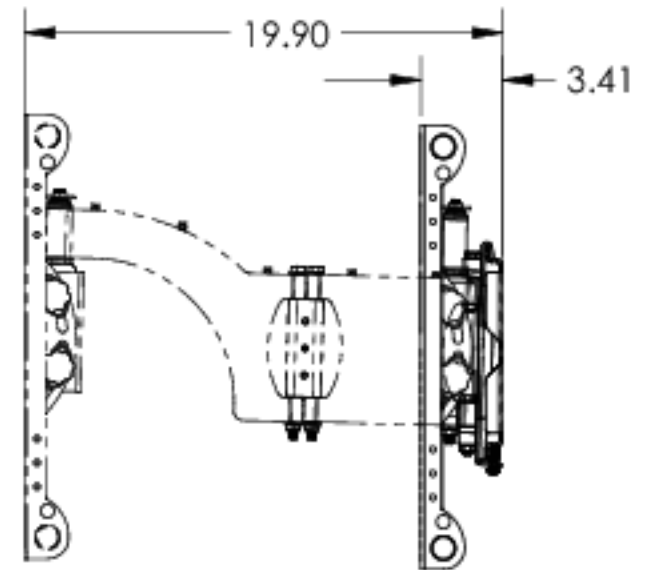
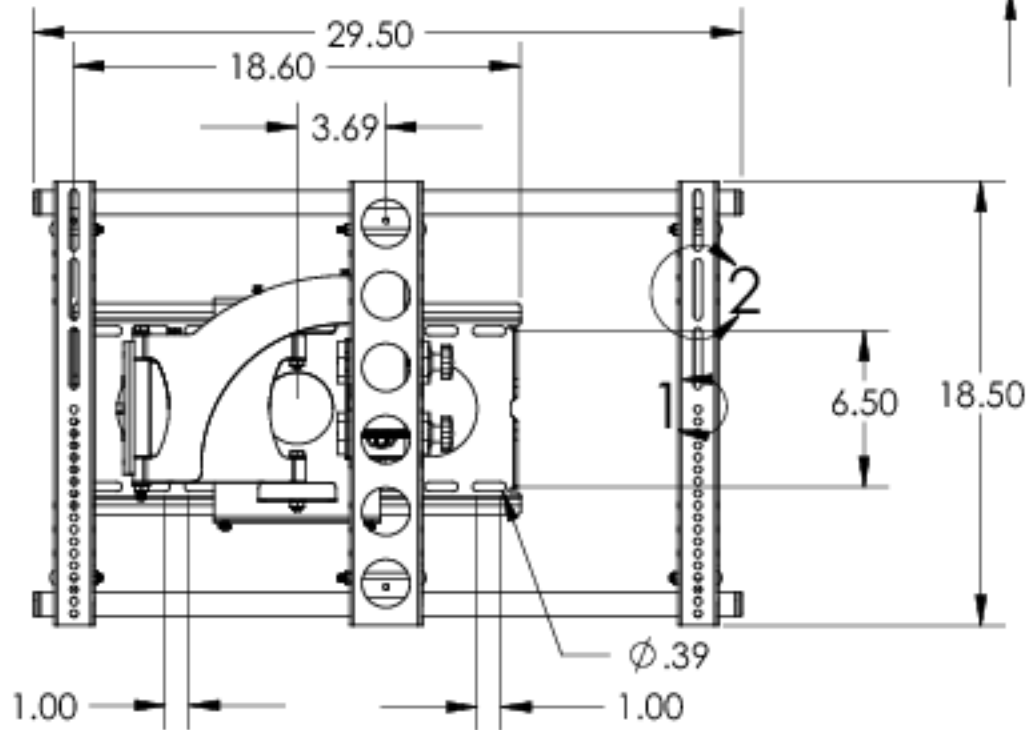
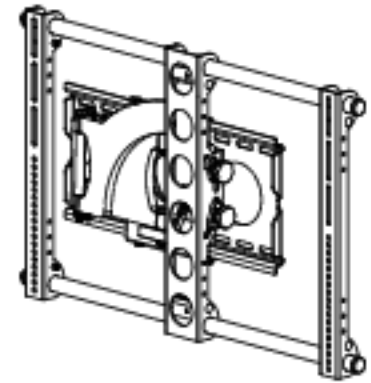


DETAIL 1
SCALE 1 : 2



DETAIL 2
SCALE 1 : 2



	NAME	DATE	SANUS SYSTEMS TITLE: VMAA18
DRAWN	NAS	10/05/06	
CHECKED			
ENG. APPR.			
MFG APPR.			
Q.A.			
<p>PROPRIETARY AND CONFIDENTIAL THE INFORMATION CONTAINED IN THIS DRAWING IS THE SOLE PROPERTY OF SANUS SYSTEMS. ANY REPRODUCTION IN PART OR AS A WHOLE WITHOUT THE WRITTEN PERMISSION OF SANUS SYSTEMS IS PROHIBITED.</p>			<p>Full Motion Wall Mount</p>
			SCALE: 1:8
			SHEET 1 OF 1