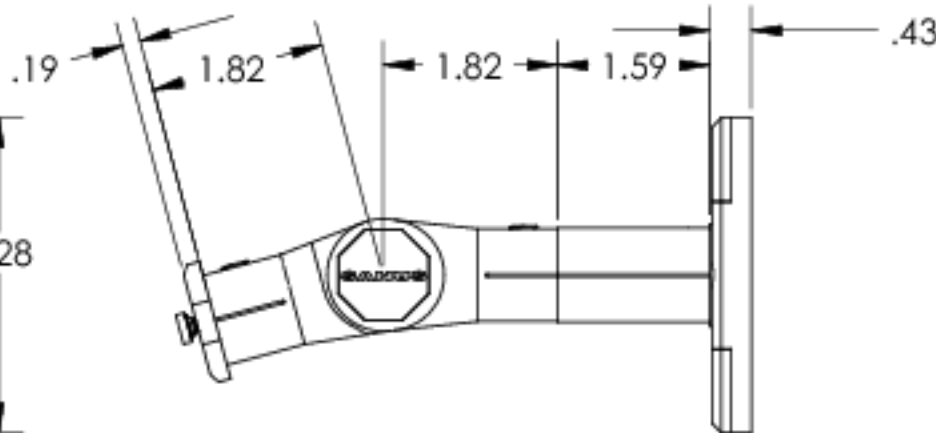
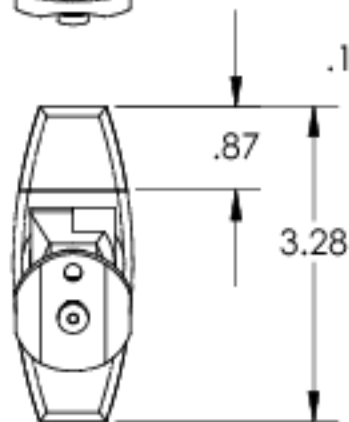
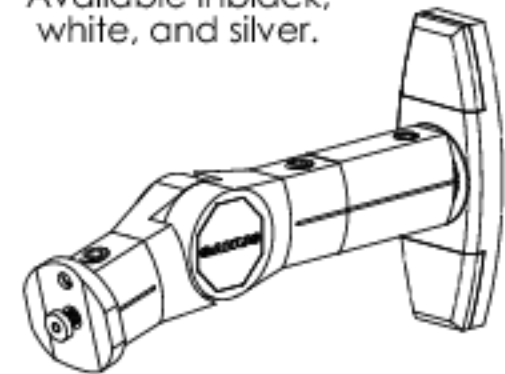


Maximum Speaker Capacity: 8lbs.

Available in black, white, and silver.



Compatibility
Single centered threaded insert on back
Double threaded inserts on back
Single key hole on back

	NAME	DATE
DRAWN	NAS	9/27/05
CHECKED		
ENG APPR.		
MFG APPR.		
Q.A.		

SANUS SYSTEMS

TITLE:

WMS3

PROPRIETARY AND CONFIDENTIAL
 THE INFORMATION CONTAINED IN THIS DRAWING IS THE SOLE PROPERTY OF SANUS SYSTEMS. ANY REPRODUCTION IN PART OR AS A WHOLE WITHOUT THE WRITTEN PERMISSION OF SANUS SYSTEMS IS PROHIBITED.

Speaker Wall Mounts

SCALE: 1:2

SHEET 1 OF 1